



ONYX

Onyx X360 Gimbal

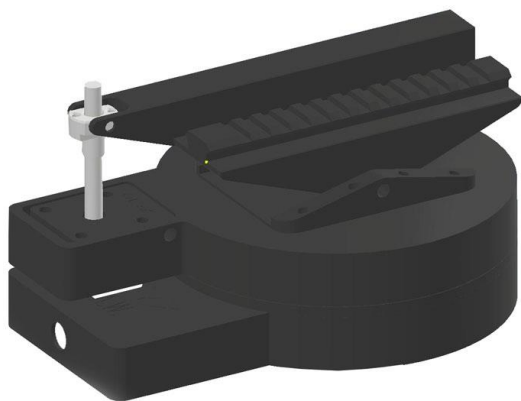
Precision, mobility, and reliability

The Onyx X360 is a low-profile, remote, securely wireless, electronic gimbal for reliable precision for your antenna, radar, optical sensor, laser, or weapon system. Onyx X360 possesses the ability to universally mount to any carriage or platform. Its hardware is designed with zero-fail missions in the most harsh and austere environments in mind. It may be paired with the Onyx RAW for a truly remote weapon capability or with any non-lethal system that requires trusted accuracy on demand. The operator has the ability to dictate left and right lateral limits for sectors of fire. From weapon systems to antennas, optics, lasers, and more, Onyx X360 is a portable and precise gimbal system you can trust in the field.

ONYX X360

Precision, mobility, and reliability

ONYX



- Secured, open-source software for compatibility
- Intuitive connection to smart devices or a variety of networked user interfaces
- Action through a remote controller, autonomously through intelligent algorithms, or by direct tether.



PRODUCT SPECIFICATIONS

/ Degrees of Pan	360°
/ Degrees of Tilt	40°
/ Max Payload	25 lb (11.3 kg)
/ Dimensions	9" x 6" x 3.5"
/ Weight	5.5 lb (2.5 kg)
/ Power	2590 Battery, Power Adapters Available
/ Connection	MANET, DDL & ATAK-Compatible

USE CASES



Optics & Sensors



Antennas & Radar



Ranging & Lasing



Lethal Weapon Systems



Less-Lethal

Lead Time: 90-Days | Training Available: CONUS & OCONUS