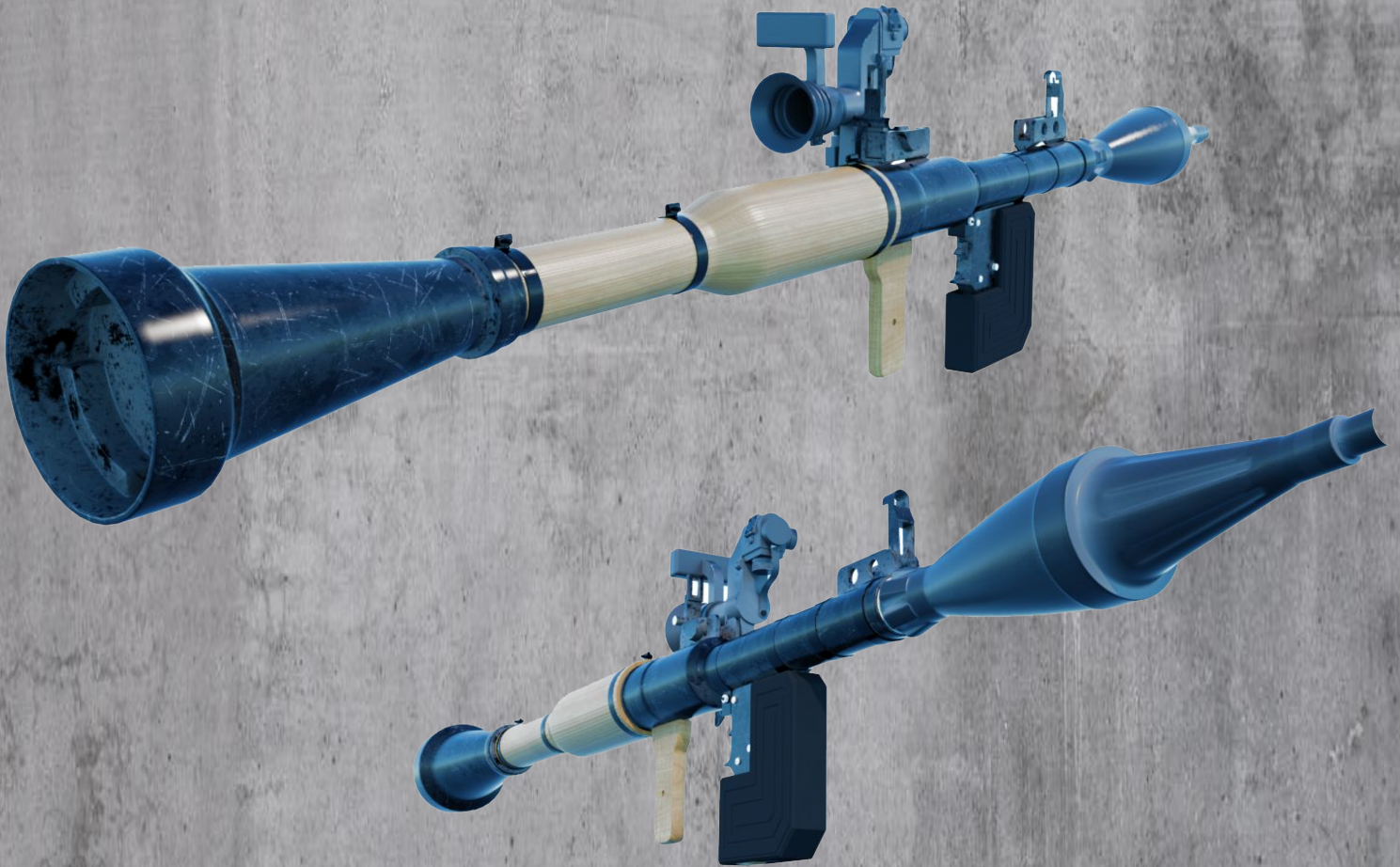


ONYX



RATR-RPG REMOTELY ACTUATED TRIGGER SYSTEM

Remote Trigger

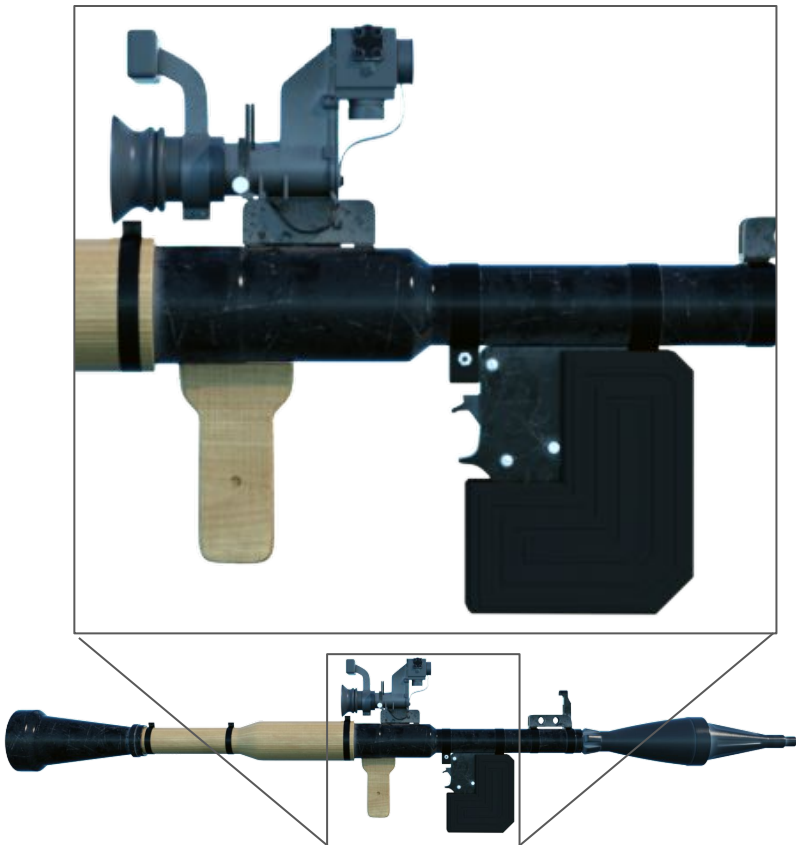
Keeping the operator in-the-loop and out of danger.

The Remotely Actuated Trigger (RATR) - RPG is a modularly adaptable remote trigger mechanism. The system is capable of remote safe and fire sequences over secure packet networks, software- defined interfaces, and compliant tethered networks. Internal components are designed to mitigate malfunctions and withstand aggressive vibration and shock in austere conditions. Designed by operators and engineered by an exquisite team of professionals, RAT-RPG is an unmatched solution for the modern battlefield.

REMOTELY ACTUATED TRIGGER SYSTEM

Remote-Trigger

ONYX



HIGHLIGHTS

- **Modular** hardware and intelligent software
- **Tailored mounting & software integration** solutions for any platform, static or mobile
- Target acquisition through **integrated sensor and aiming**
- **Remote features** configurable with smartphone and most unmanned controllers
- **Secure connection** through user mobile adhoc networks

KEY FEATURES

- Encased in a resilient, anti-corrosive metal
- Pending remote fire certification
- Future improvements include:
 - ✓ Replacement trigger assembly
 - ✓ Integrate smart optics for remote visualization
 - ✓ Accessories; lasers, ranging, and more.
 - ✓ Integration with Onyx X360 gimbal system
 - ✓ Additional advanced features currently in development.



Secure wireless connection



Compatible with TAK suite

PRODUCT SPECIFICATIONS

/ Dimensions	6" x 6" x 2"
/ Weight	2 lbs
/ Power	6hr integrated battery
/ Control	Trigger through any MANET/Digital IP link via Ethernet
/ Protection	Pending IP67 rating
/ Calibers	RPG-7

NOTE: Training Available. Color Customizable.