

NAUT - NAUTICAL AUTONOMOUS UNMANNED TAIL

Modular Propulsion System

Onyx's NAUT, the Nautical Autonomous Unmanned Tail system provides maritime mobility capabilities to any buoyant system requiring unmanned thrust and autonomy. NAUT is part of the Onyx family of systems focused on hyper-enabling platforms to operate in any environment and complete any mission. It is built and programmed with a proprietary autonomous propulsion method that enables the operator to execute pre-programmed mission plans or maneuver the system via controller. Integrating into conventional networks or through its secure wireless connection, NAUT is a plug-and-play system for easy command and control. With NAUT, systems transform to complete full mission maritime profiles, preserve lives, and enhance mission effectiveness.

Field-expedient & secure quick-detach

Thrust vectoring water jet propulsion system



PRODUCT SPECIFICATIONS

/ Speed	3+ knots
/ Weight	2lbs without battery / 5lbs with battery
/ Power	30min+ battery and/or direct power slave
/ Control	Integrated secure 802.11 and/or direct control via primary digital link
/ Protection	Pending IP67 rating
/ Range	1.5mi, power source and water current-dependent

KEY FEATURES

- **Fully autonomous** with both pre-programmed and on-the-fly waypoint control.
- Private key **encrypted** wireless control.
- **Rugged component design**, purpose built to withstand austere conditions.
- Capable of **remote zeroizing** to inhibit unintended or unauthorized use.
- **Tailored mounting options** for curved, V-hull, or flat bottom platforms.



Advanced autonomy



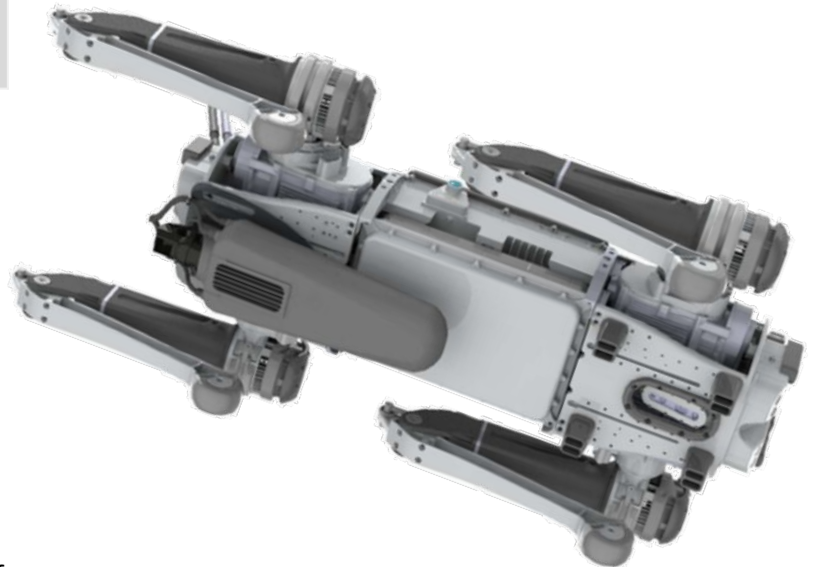
Secure wireless connection



TAK suite compatible



Tailored to mount on customer-preferred platforms



**Shown as integrated on the Ghost Robotics Quadrupedal Unmanned Ground Vehicle, Vision 60*