



ONYX

NAUT

Autonomous Maritime Mobility System

NAUT, the Nautical Autonomous Unmanned Tail, is the ultimate plug-and-play autonomous maritime mobility system for easy command and control. It provides unmanned thrust and autonomy to any buoyant system, from small tactical watercraft to robotics. As part of the Onyx family of systems focused on hyper-enabling platforms to operate in any environment and complete any mission, NAUT is built and programmed with a proprietary autonomous propulsion method that enables the operator to execute pre-programmed mission plans or maneuver the system via controller. With NAUT, systems transform to complete full mission maritime profiles, preserving lives and enhancing mission effectiveness.

[ONYX-IND.COM/NAUT](https://onyx-ind.com/naut)

Thrust vectoring water propulsion & steering

Water Intake

Field-expedient & secure quick-detach



PRODUCT SPECIFICATIONS

/ Speed	3+ knots
/ Weight	2 lbs (1 kg)
/ Power	System/Battery Dependent
/ Control	Direct from controller or via COTS GUI
/ Protection	Pending IP67 rating

KEY FEATURES

- **Fully autonomous** with both pre-programmed and on-the-fly waypoint control.
- Private key **encrypted** wireless control.
- **Rugged component design**, purpose built to withstand austere conditions.
- Capable of **remote zeroizing** to inhibit unintended or unauthorized use.
- **Tailored mounting options** for curved, V-hull, or flat bottom platforms.



Advanced autonomy



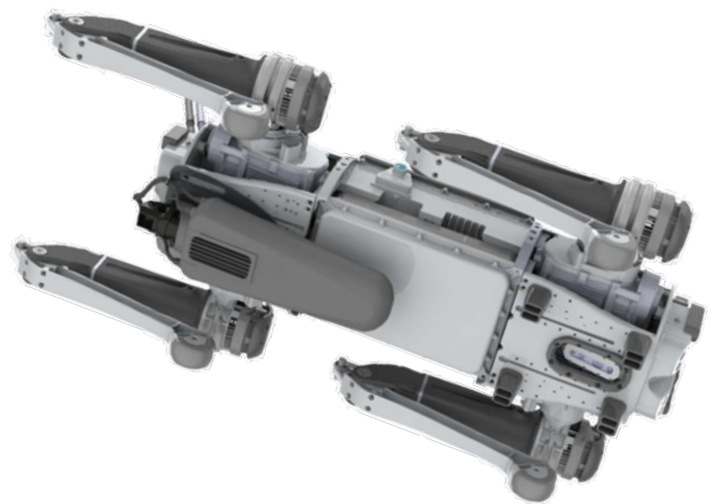
Secure wireless connection



TAK suite compatible



Tailored to mount on customer-preferred platforms



**Shown as integrated on the Ghost Robotics Quadrupedal Unmanned Ground Vehicle, Vision 60*